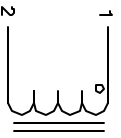


The information contained in this drawing is the sole property of CWS Coil Winding Specialist. Any reproduction in part or whole without written permission of CWS Coil Winding Specialist is prohibited.

REVISION HISTORY

REV	ECN	DESCRIPTION	DATE	DRN	CHK	DATE
A		PRODUCTION RELEASE	TK	2/08/04	JLU	2/9/04



SCHEMATIC

- USING A PERMANENT MARKING METHOD MARK PART NUMBER AND REVISION, IF APPLICABLE
- IF NEEDED, WRAP INDUCTOR WITH GLASS TAPE

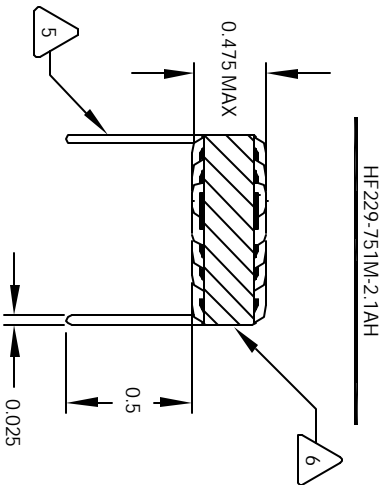
- TO THE CORE
- MUST REST FLAT ON PCB. LEADS MUST BE TANGENT
- FLUSH WITH THE COIL EDGE. AS SHOWN (I.E. COIL REMOVE INSULATION AND TIN LEADS 0.5 INCH

- WIND COILS EVENLY SPACED AROUND THE CORE
- CONSTRUCTION:

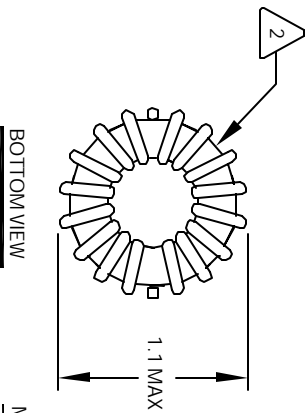
- HI-POT TEST FOR WINDING TO CORE ISOLATION = 500VDC MIN CURRENT RATING : 2.1 AMPS, 40 °C TEMP. RISE, NO AIR FLOW DCR = 240.0 MILLI-OHMS MAX. DC BIASED = 2.1 AMPS, INDUCTANCE = 605 UH DC BIASED = 2.5 AMPS, INDUCTANCE = 600 UH INDUCTANCE = 750 UH +10% @ LOW DC BIAS, 1 KHz, 250mV
- SPECIFICATIONS:

- WIRE: UL RECOGNIZED 200°C RATED MAGNET WIRE CWS BYTE-MARK OR OTHER APPROVED PART
- CORE: COATED HIGH FLUX TOROIDAL CORE
- RATING CLASS B (130°C MIN.) REQUIRED
- MATERIAL: UL RECOGNIZED 94V-0 FOR FLAMMABILITY

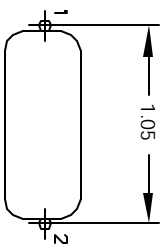
NOTES: TOROIDAL POWER CHOKE. ALL DIMENSIONS IN INCHES



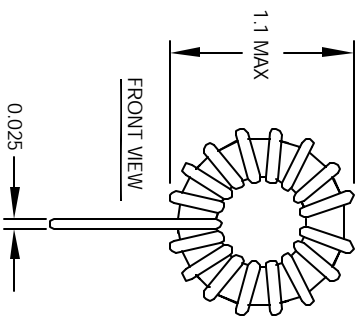
FRONT VIEW



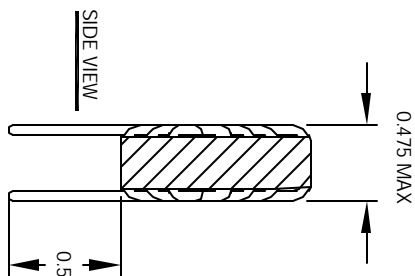
BOTTOM VIEW



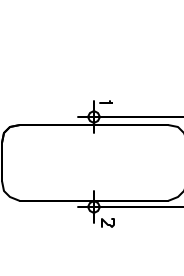
MOUNTING HOLES PATTERN



FRONT VIEW



SIDE VIEW



MOUNTING HOLES PATTERN

CODE IDENT	MFG. P/N	DESCRIPTION	ITEM NO.
AUTOCAD SOLIDWORKS SIGN	X	PARTS LIST CWS Coil Winding Specialist 1510 E. Edinger Ave. Unit B, Santa Ana, CA 92705 WWW.COILWS.COM	
DATE			
DATE			

TITLE	DATE	APPD.	SCALE	REV
TOROIDAL POWER CHOKE	2/8/04	JLU	2=1	B
TOROIDAL POWER CHOKE	2/9/04	JLU		
TOROIDAL POWER CHOKE	3/6/04	JLU		

DO NOT SCALE DRAWING	SIZE	FORM NO.	SCALE	SHEET	OF
	B	HF229-751M-2.1A	2=1	1	1